



ARCHITECTURAL
one source. many solutions.®

Pilkington Profilit™ OW

TRANSLUCENT LINEAR LOW-IRON CHANNEL GLAZING SYSTEM

Pilkington Profilit™ OW is a translucent linear channel glazing system that allows the passage of light in interior or exterior applications. Pilkington Profilit OW consists of an extruded perimeter frame and self-supporting low-iron oxide cast glass channels. The lower iron content allows for higher light and solar transmission and a less green appearance that is typical of standard glass. Pilkington Profilit OW is available in Standard Cast, Wave and Macro textures and can be coated with Low-E, Antisol® and Amethyst coatings. Pilkington Profilit OW can be sandblasted for added privacy.

FEATURES

- Available in Standard Cast (patterned surface), Wave (large wave texture), and Macro (netted screen texture) – see side 2 for photos
- Optional coatings: Low-E (for improved u-values), Antisol® (for solar protection), Amethyst (blue tint)
- All textures are available sandblasted for added privacy
- Available in long channel lengths – up to 23 ft (7 m)
- May be tempered or filmed to meet impact safety requirements
- Can be thermally toughened (can also add ceramic frit for color), enameled and heat soaked
- Allows passage of light while maintaining privacy
- May be insulated with Lumira™ aerogel for energy efficiency
- Excellent light transmission
- Sound insulation (up to 42 db uninsulated, 44 db with Lumira aerogel insulation)
- Can be utilized in curved walls
- Installs vertically or horizontally
- Aluminum perimeter frame provides additional structural strength
- Interior applications may be installed into wood jambs or millwork instead of TGP's aluminum framing
- Minimal maintenance
- Most channels available with pinstripe wires



GENERAL CHARACTERISTICS

APPROXIMATE FACE WIDTH	K22: 9.13 in (232 mm)	K25 (STANDARD): 10.31 in (262 mm)	K32: 13.03 in (331 mm)
APPROXIMATE FLANGE HEIGHT	2.36 in (60 mm)		
STANDARD THICKNESS	.28 in (7 mm)*		
MAXIMUM LENGTH	Up to 23 ft (varies according to windload and project requirements)		
WEIGHT / FT ² OF CHANNEL SURFACE (including frame and components)	12 lb / ft ² dual glazed 7 lb / ft ² single glazed		
LIGHT TRANSMISSION	90% (uninsulated, varies with coating)		
U-VALUE (glass only)	.49 (uninsulated), .40 (Low-E uninsulated), .21 (Low-E with 16 mm Lumira aerogel insulation), .19 (Low-E with 25 mm Lumira aerogel insulation)		
SOLAR HEAT GAIN COEFFICIENT	.70 (uninsulated), .45 (Low-E uninsulated), .42 (Low-E with 16 mm Lumira aerogel insulation), .31 (Low-E with 25 mm Lumira aerogel insulation)		
STC RATING	42 dB (uninsulated), 44 dB (with 16 mm or 25 mm Lumira aerogel insulation)		

*6 mm options are also available. Contact TGP for further information.

Pilkington Profilit OW is not a standard stocked item. Please check with TGP for availability.

TESTING

Pilkington Profilit has been tested to meet the following standards: AAMA 501.4, AAMA 101, AAMA 1801-97, AAMA/NWDA 101/1, S.297, ASTM F 588-97, NFRC 100-97, ANSI Z97.1-1984, CPSC 16CFR 1201, Category II (with safety film). All testing carried out by Architectural Testing Inc., York, PA. Formal test results are available by contacting Technical Glass Products.

SPECIFICATIONS

Complete 3-part CSI format specifications are available online at www.tgpamerica.com, or by calling **800.426.0279**. Please contact Technical Glass Products for more information.

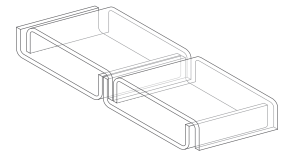
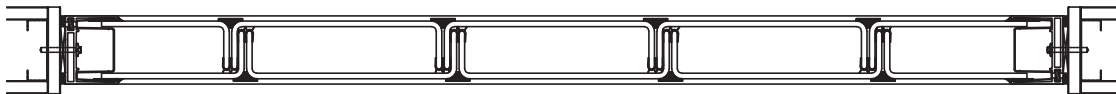
INSTALLATION

Pilkington Profilit should be installed in accordance with approved shop drawings – plumb, level, square and free from warp or twist while maintaining dimensional tolerances and alignment with surrounding construction.

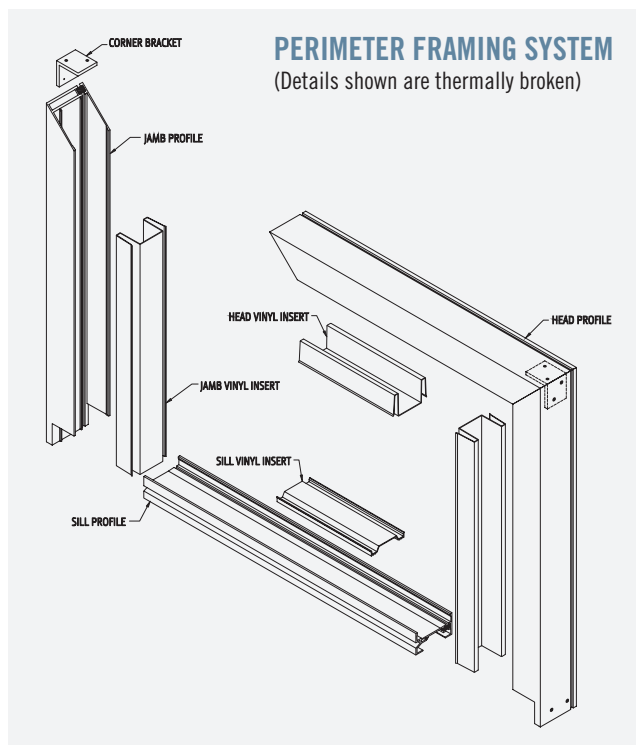
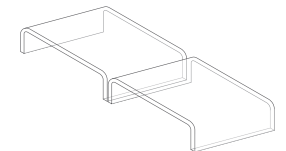
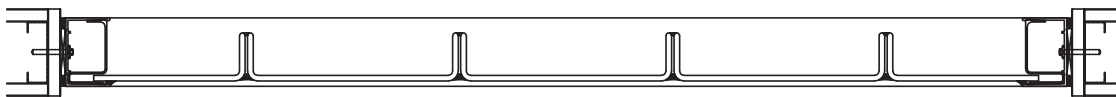
Erect framing, vinyl spacer and glass in accordance with manufacturer's printed installation instructions. Seal glass units continuously on both sides of glass between frame and glass and between linear glass units. Install perimeter joint sealant and backing materials between assemblies and adjacent construction.

STANDARD VERTICAL GLAZING

DUAL GLAZING - THERMALLY BROKEN



SINGLE GLAZING - NON THERMALLY BROKEN



SURFACE TEXTURES



Macro



Wave



Standard Cast